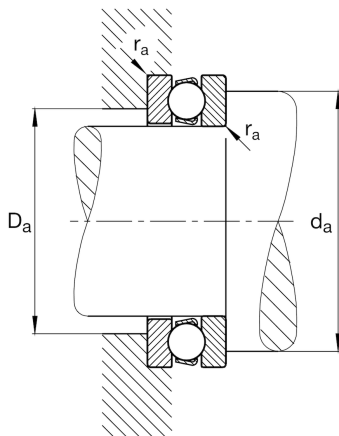
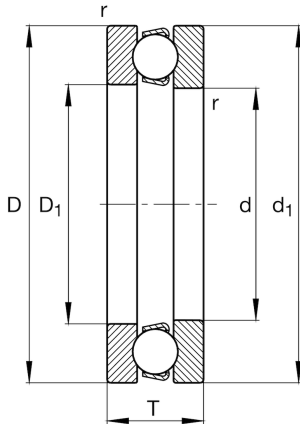
**FAG****51164-MP**

Axial deep groove ball bearing

Schaeffler ID:
0190615520000Axial deep groove ball bearing 511...-MP,
single direction, solid brass cage

Technical information

**Main Dimensions & Performance Data**

d	320 mm	Inner diameter shaft washer
D	400 mm	Outer diameter housing washer
T	63 mm	Height
C_a	360.000 N	Basic dynamic load rating, axial
C_{0a}	1.750.000 N	Basic static load rating, axial
C_{ua}	42.000 N	Fatigue load limit, axial
n_G	1.200 1/min	Limiting speed
n_{gr}	1.090 1/min	Reference speed
	23,2 kg	Weight

Dimensions

r_{min}	2 mm	Minimum chamfer dimension
D_1	324 mm	Inner diameter housing washer
d_1	396 mm	Outer diameter shaft washer

Mounting dimensions

$d_{a min}$	368 mm	Minimum diameter shaft shoulder
$D_{a max}$	352 mm	Maximum diameter of housing shoulder
$r_{a max}$	2 mm	Maximum filled radius

Calculation factors

A	16	Minimum load factor
---	----	---------------------

Temperature range

T_{min}	-30 °C	Operating temperature min.
T_{max}	200 °C	Operating temperature max.